



CB 840 HC

LIST OF THE EXPLODED VIEWS



SHELL ASSY CB 840A HC / CB 840W HC

SHELL ASSY CB 840A HC Drain Pump

COOLING SYSTEM

HYDRAULIC CIRCUIT CB 840A HC / CB 840W HC

HYDRAULIC CIRCUIT CB 840A HC Drain Pump

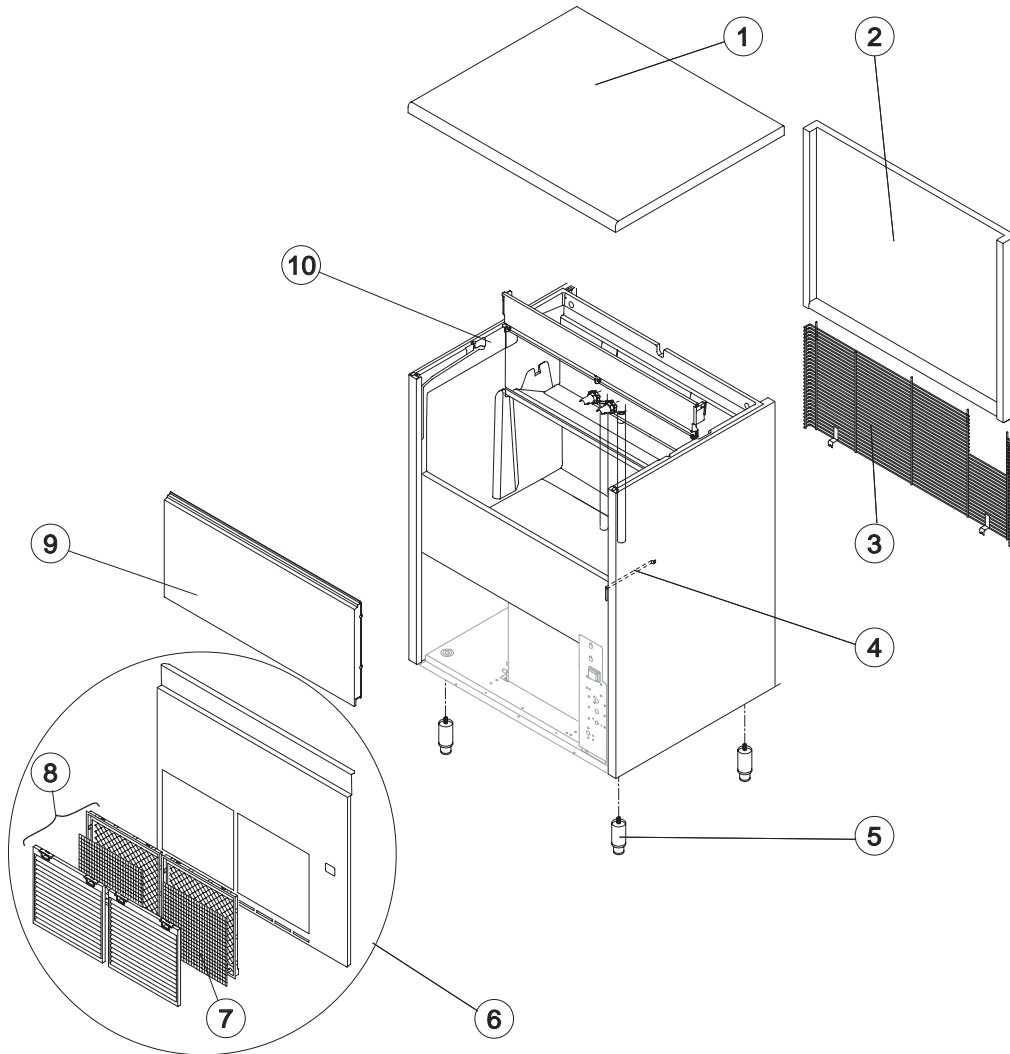
ELECTRIC PARTS



CB 840 HC

SHELL ASSY

CB 840A HC / CB 840W HC



Ref.	Spare Description	Code
1	Top Assembly	C22673
2	Rear Panel Assembly	C21184
3	Rear Grid	D12015
4	Bulb-holder Pipe	20521
5	Adjustable Foot	20613
6	Front Grid Panel	C22509
7*	Filtering Panel	18106
8	Frame + Grid & Filter	C10205
9	Door Assembly	C10275
10	Foamed Cabinet Assy	See Table

Ref. 10 - Foamed Cabinet Assy

Condensation	Code
Air	C11009A
Water	C11009W

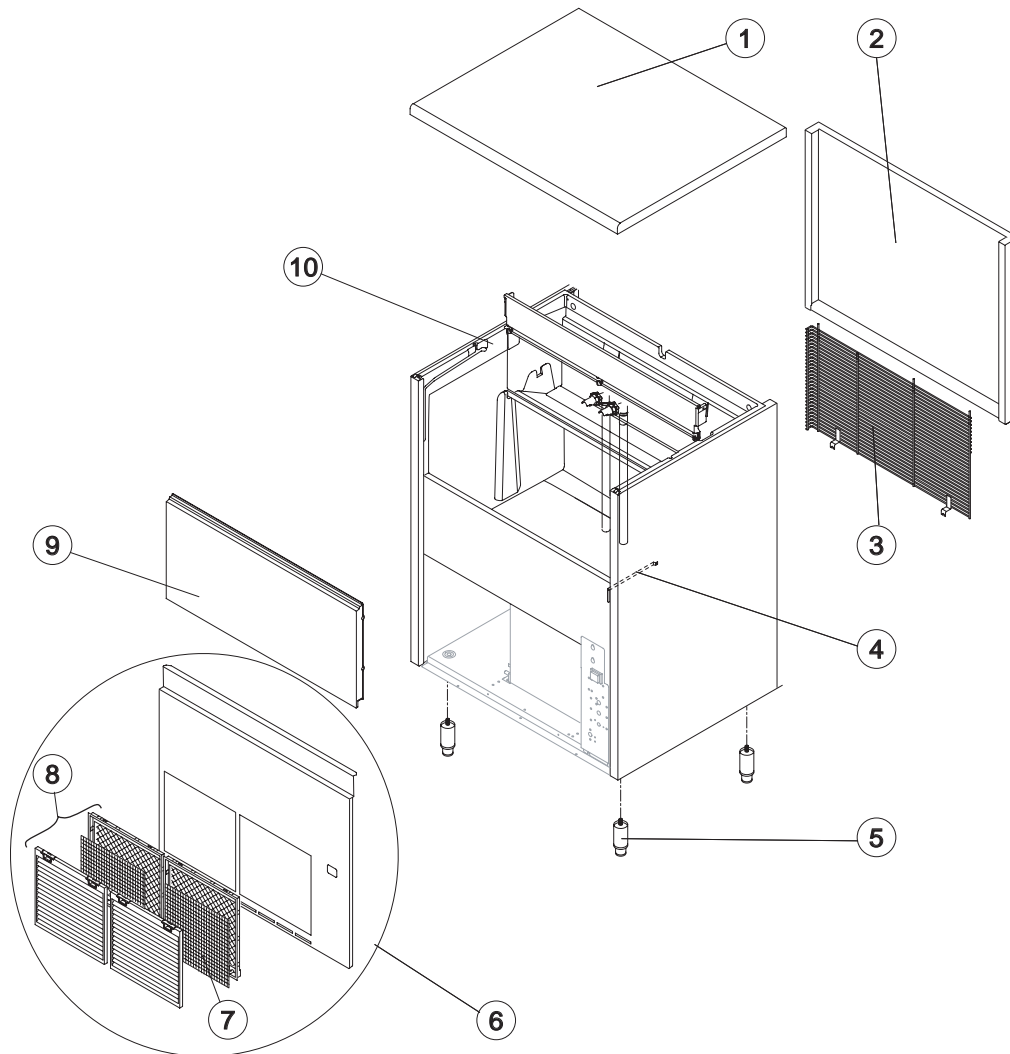
Rev. 02 - 12/03/2019



CB 840 HC

SHELL ASSY

CB 840A HC DP



Ref.	Spare Description	Code
1	Top Assembly	C22673
2	Rear Panel Assembly	C21184
3	Rear Grid	D12133
4	ulb-holder Pipe	20521
5	Adjustable Foot	20613
6	Front Grid Panel	C22509
7*	Filtering Panel	18106
8	Frame + Grid & Filter	C10205
9	Door Assembly	C10275
10	Foamed Cabinet Assy	C11009DP

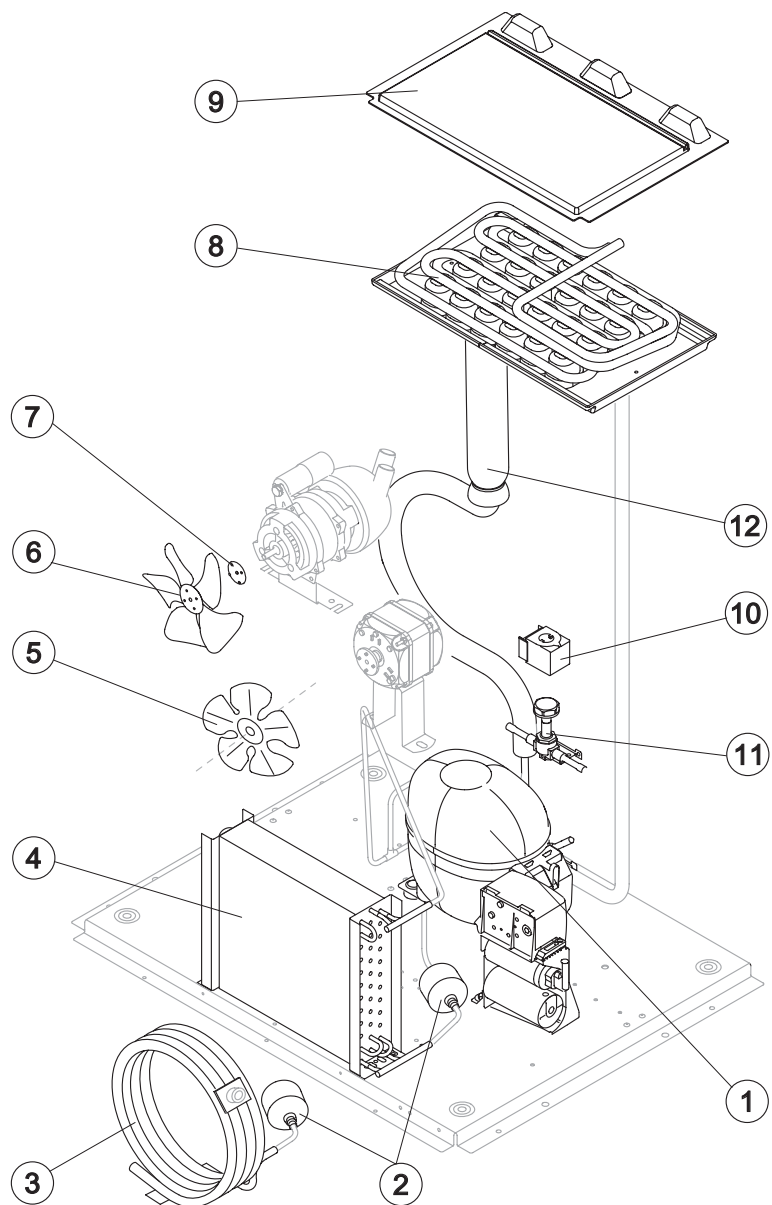
Rev. 02 - 12/03/2019



CB 840 HC

COOLING SYSTEM

CB 840A HC / CB 840W HC / CB840A HC DP



Common Parts

Ref.	Spare Description	Code
1	Compressor	231253
2*	Molecular Drier	141003
6	Sucking Fan	10213
7	Hub for the Fan Fixing	10014
8	Evaporator	See Table
9	vaporator Cover Panel	10448
10*	Hot Gas Valve Body	231294
11*	Hot Gas Valve Coil	201129
12	Suctin Line	for the spare parts code give us the s/n.

Parts for Air Cooled Version Only

Ref.	Spare Description	Code
4	Air Condenser	Current Version 201223
4	Air Condenser	Till s/n. 881941 201145
5	Sucking Fan	Current Version 20153
5	Sucking Fan	Till s/n. 881941 20031

Parts for Wayer Cooled Version Only

Ref.	Spare Description	Code
3	Water Condenser	14374

Ref. 8 - Evaporator

Kind of Cube	Code
18 g. (Standard)	D10047
33 g.	D10090
13 g.	D10418
42 g.	D10480

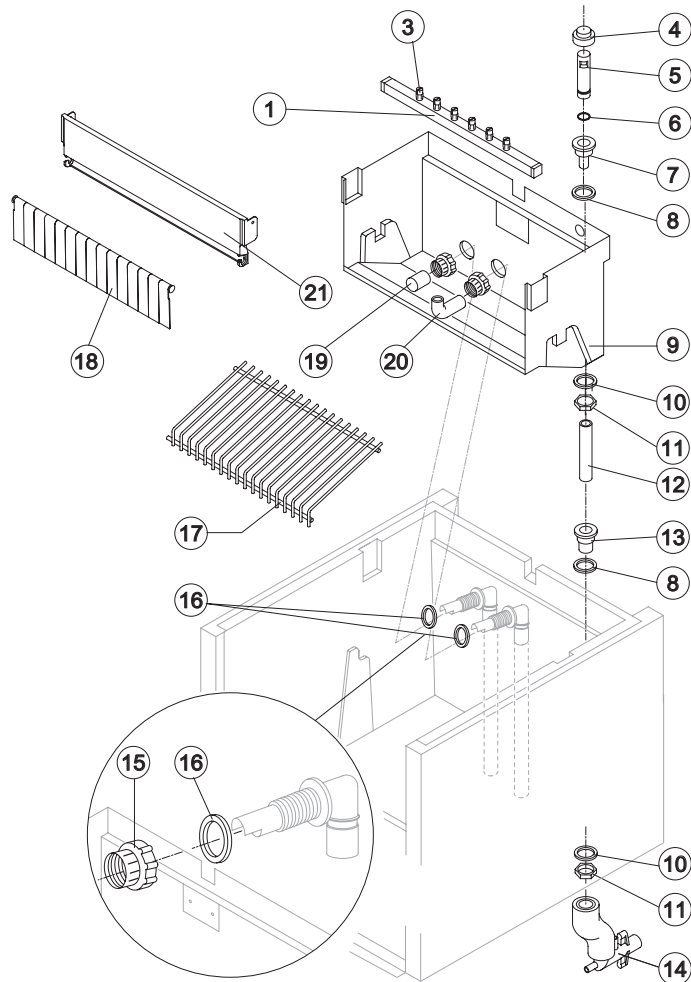
Rev. 02 - 12/03/2019



CB 840 HC

HYDRAULIC CIRCUIT

CB 840A HC / CB 840W HC



Common Parts

Ref.	Spare Description	Code
1*	Sprayers Bar Assembly	See Table
3	Sprayer	D20002
4*	Overflow Cap	10305
5*	Overflow Pipe	10133
6*	OR Gasket for Overflow Pipe	20233
7	Overflow pipe nipple	10471
8	Silicone Gasket	13219
9	Inner Basin	10034
10	Semirigid Polyethylene Gasket	13007
11	Bin Discharge Nut	10096
12*	Overflow Pipe	13109
13	Water Outlet Nipple	10472
15	Fittings Locking Ring	10405
16	Gasket for Pump Suction/Delivery Pipes	13220
17	Ice Cubes Slide	See Table
18	Rod with Flags	10775
19*	Pump Suction Filter	20005
20	Sprayers Feeding Pipe	13005
21	Flags ABS Support	10760

Ref. 1* - Sprayers Bar Ass.

Kind of Cube	Code
18 g. (Standard)	C20058
33 g.	C20156
13 g.	C20190
42 g.	C20802

Ref. 17 - Ice Cubes Slide

Kind of Cube	Code
18 g. (Standard)	D12017
33 g.	D12031
13 g.	D12039
42 g.	D12071

Parts for Air Cooled Version Only

Ref.	Spare Description	Code
14	Discharges Manifold	C10006

Parts for Water Cooled Version Only

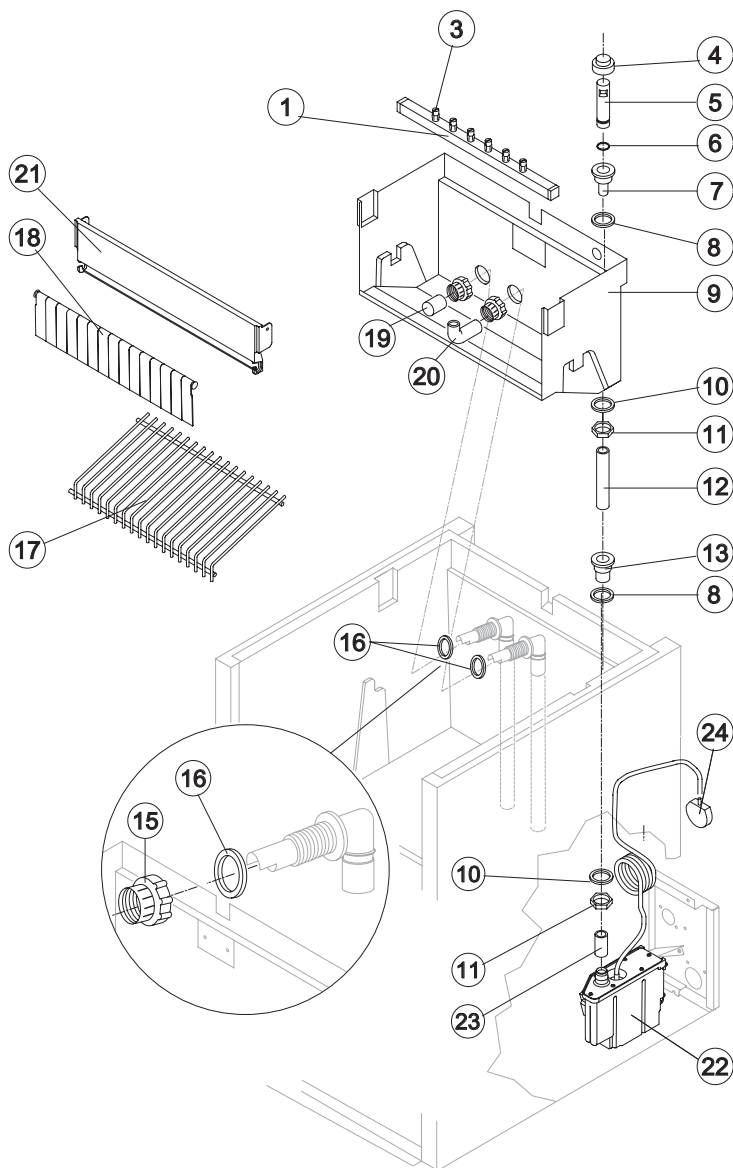
Ref.	Spare Description	Code
14	Discharges Manifold	C26452



CB 840 HC

HYDRAULIC CIRCUIT

CB 840A HC DP



Ref.	Spare Description	Code
1*	Sprayers Bar Assembly	See Table
3	Sprayer	D20002
4*	Overflow Cap	10305
5*	Overflow Pipe	10133
6*	OR Gasket for Overflow Pipe	20233
7	Overflow pipe nipple	10471
8	Silicone Gasket	13219
9	Inner Basin	10034
10	Semirigid Polyethylene Gasket	13007
11	Bin Discharge Nut	10096
12*	Overflow Pipe	13109
13	Water Outlet Nipple	10472
15	Fittings Locking Ring	10405
16	Gasket for Pump Suction/Delivery Pipes	13220
17	Ice Cubes Slide	See Table
18	Rod with Flags	10775
19*	Pump Suction Filter	20005
20	Sprayers Feeding Pipe	13005
21	Flags ABS Support	10760
22	Drain Pump	RC231225
23	Bin Discharge-Drain Pump Connection	C13175190
24	Drain Pump Pressure Switch	C231230

Ref. 1* - Sprayers Bar Ass.

Tipo Cubetto	Codice
18 g. (Standard)	C20058
42 g.	C20802

Ref. 17 - Ice Cubes Slide

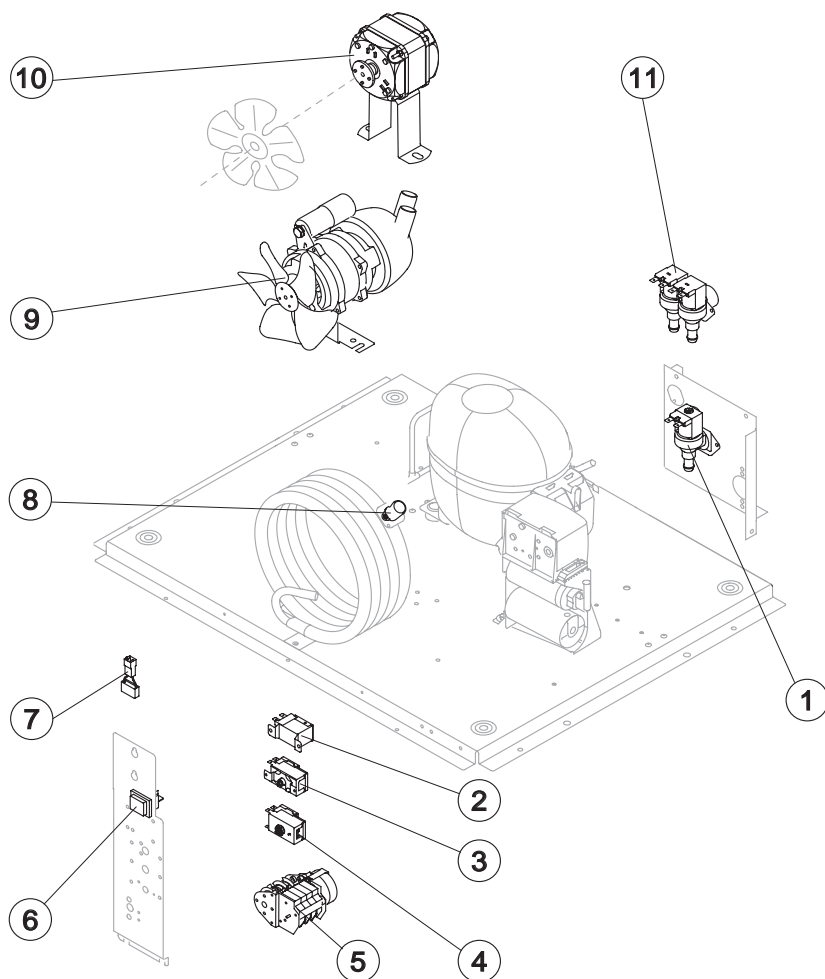
Tipo Cubetto	Codice
18 g. (Standard)	D12017
42 g.	D12071



CB 840 HC

ELECTRIC PARTS

CB 840A HC / CB 840W HC / CB840A HC DP



Common Parts

Ref.	Spare Description	Code
2*	Fan cycle switch	231123
3*	Bin Thermostat	R23005
4*	Evaporator Thermostat	R23591
5*	Timer	See Table
6*	Green Light Switch (On-Off)	23327
9*	Pump Assy	RC23377

Parts for Air Cooled Version Only

Ref.	Spare Description	Code
1*	1 Way- Water Inlet Valve	23115
7	Anti Radio Interference Filter	C23459
10*	Fan Motor	23067

Parts for Wayer Cooled Version Only

Ref.	Spare Description	Code
7	Anti Radio Interference Filter	C23457
8*	Safety Thermostat	C23114
11*	2 Ways Water Inlet Valve	23010

Ref. 1* - 1 Way- Water Ilet Valve

Voltage	Cube 18g/13g	Cube 33g	Cube 42g
220-240V ~ 50Hz	23115	23001	23001

Ref. 5* - Timer

Voltage	Cube 18g	Cube 33g	Cube 13g	Cube 42g
220-240V ~ 50Hz	23222	23248	23247	23780